

# S&G Engineering

## Product Family: 60kW

## Contact us

### Head Office

S&G Engineering GmbH

Am Röthenbühl 34  
92348 Berg

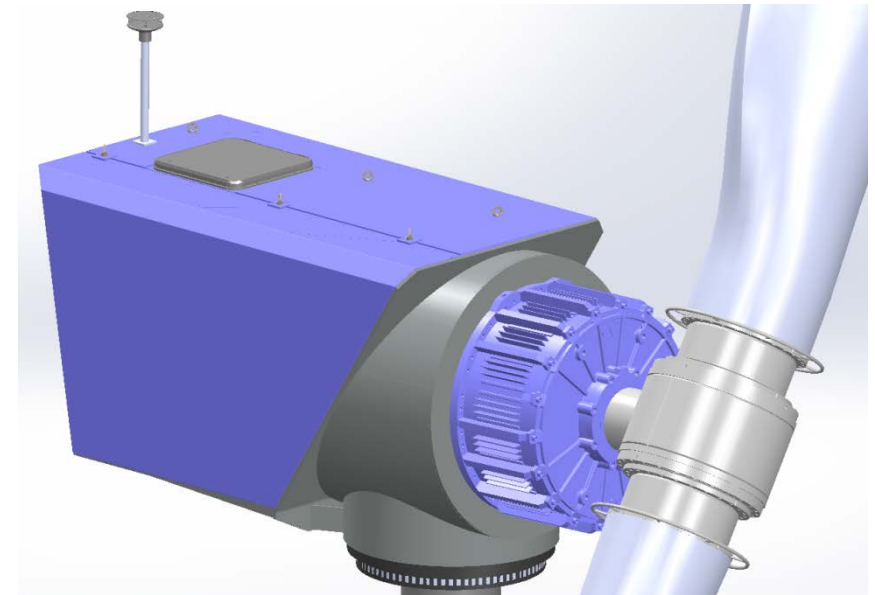
**Phone** +49 9189 414667  
**Fax** +49 9189 414666  
**Email** info@sg-engineering.com

### Sales and Marketing Office

S&G Engineering GmbH

Gotenweg 32  
22453 Hamburg

**Phone** +49 40 5518053  
**Fax** +49 40 5554336  
**Email** info@sg-engineering.com



**60kW platform**

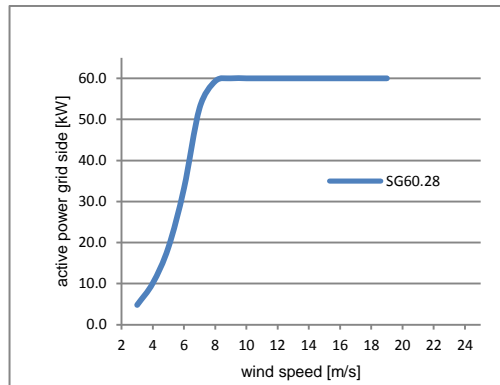
**SG60.28**



## The advantages

- permanent magnet synchronous generator
- intelligent power converter
- excellent grid connection
- low maintenance and lifecycle costs
- noise-optimised design
- high availability
- wind class IEC IIIA

The innovative gearless drive train concept (direct drive) enables excellent efficiency, especially in partial load range and ease of service throughout the lifecycle. The turbine of the 60kW platform is available for wind speeds: IIIA. The turbine is designed for an operational temperature range of -10°C to 45°C



## Power curve



## Power 60kW

### General data

Turbine	SG60.28
Wind class	IEC IIIA
Grid frequency	50Hz / 60Hz
Rotor diameter	28m
Hub height (HH)	37.36m

### Operating data

Average wind speed	7.5m/s
Cut-in wind speed	3.0m/s
Rated wind speed	7.5m/s
Cut-out wind speed	19m/s
Temp. range (operation)	-10°C to +45°C
Temp. range (survival)	-20°C to +50°C

### Tower

Type	Freestanding conical tubular concrete tower
------	---

### Machinery

Drive train	Direct drive
Pitch system	Common hydraulic piston in nacelle
Yaw system	roller bearing with gear drives and motor brake

### Electric

Generator	low speed synchronous, air-cooled
Converter	full 4-quadrant, air-cooled

## 60kW platform

